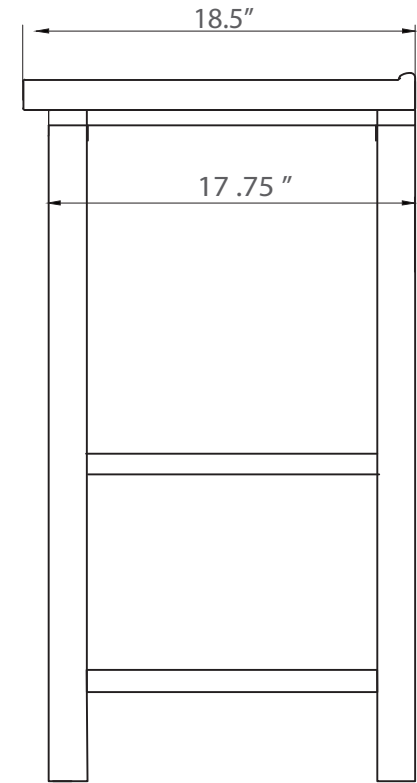
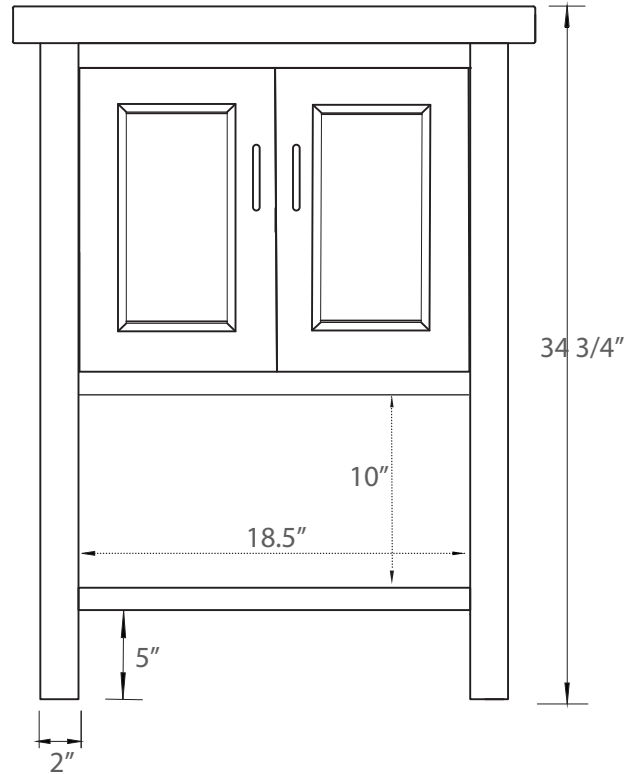
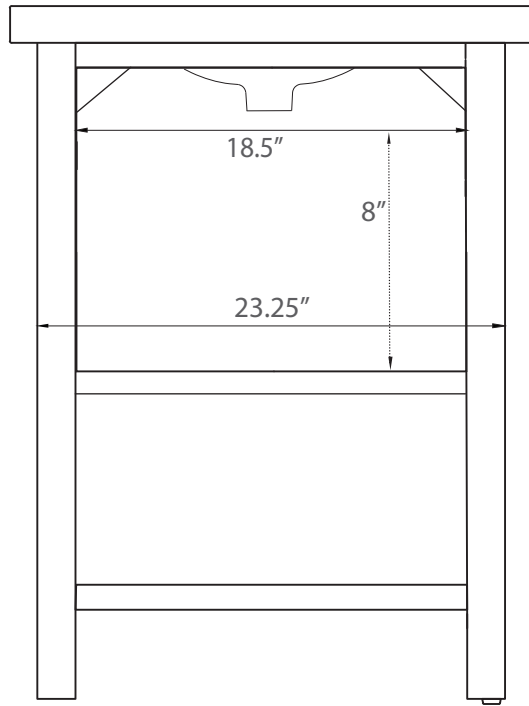
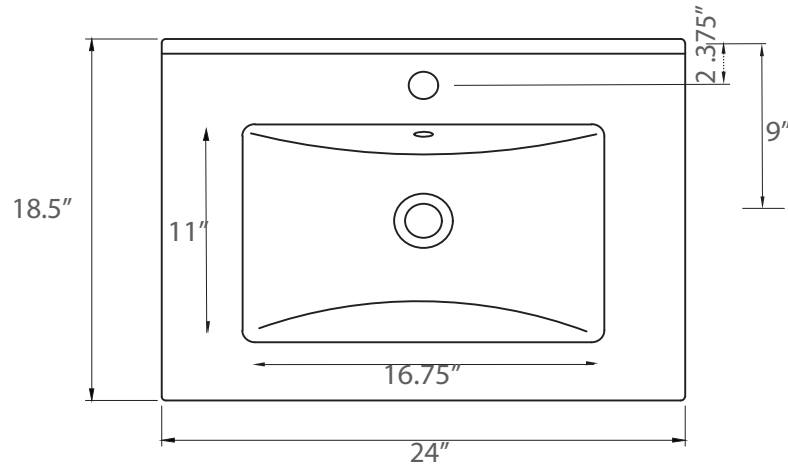




Model: SPV02-24-WT

DIMENSIONS: 24" W x 18 1/2" D X 35" H



PHONE: (888) 487-4488

EMAIL: cs@designelementusa.com